

Diaphragm Valve, plastic/metal

Construction

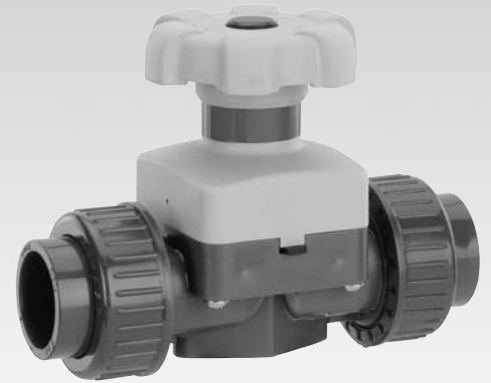
GEMÜ S670 *SilverLine*® is a manually operated plastic or metal diaphragm valve

Features

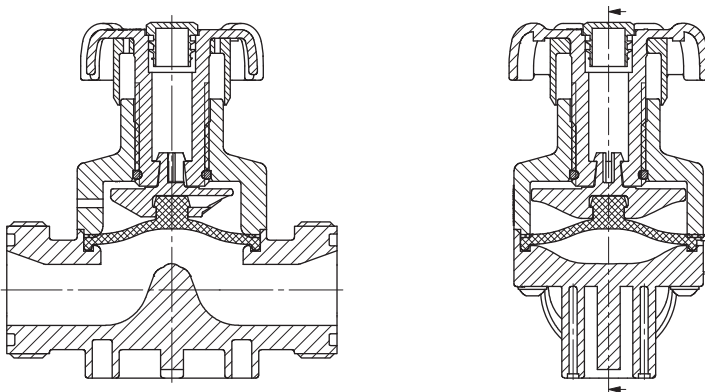
- Compact design with few components
- Low weight
- Corrosion-resistant materials
- Good flow coefficient
- Complies with the French drinking water standard ACS, medium wetted parts with PVC-U body and EPDM diaphragm
- The valve body and diaphragm are available in various designs/materials
- Various connections available

Advantages

- No maintenance work on the valve is foreseen
- Insensitive to particulate media
- Optional flow direction and mounting position



Sectional drawing



Technical data

Working medium

Corrosive, inert, gaseous and liquid media which have no negative impact on the physical and chemical properties of the body and diaphragm material.

Max. medium temperature 60° C
 Maximum permissible temperature of working medium see data sheet "Technical Information on Plastic materials"

Ambient conditions

Max. ambient temperature 40° C

Flow direction and mounting position

Optional

Pressure / temperature correlation for plastic

Temperature in °C (plastic body)	5	10	20	25	30	40	50	60	
Valve body material	Permissible operating pressure in bar								
PVC-U Code 1	10.0	10.0	10.0	10.0	8.0	6.0	3.5	1.5	
PP Code 5	10.0	10.0	10.0	10.0	8.5	7.0	5.5	4.0	

Extended temperature ranges on request. Please note that the ambient temperature and medium temperature generate a combined temperature at the valve body which must not exceed the above values.

Diaphragm size	DN	Operating pressure	Kv Value
		EPDM	[m ³ /h]
15	15	8 bar	3.9
25	20	8 bar	17.7
	25	8 bar	17.7
40	32	7 bar	34.8
	40	7 bar	34.8
50	50	6 bar	44.7

Seal material for valve bodies with union ends

Diaphragm material	Seal material
EPDM	EPDM
Other materials on request.	

Order data

Body configuration	Code
2/2-way	D

Diaphragm material	Code
EPDM	14
Further diaphragm materials on request	

Connection	Code
Threaded sockets DIN ISO 228*	1*
Union ends with DIN insert (socket)	7
Body with threaded spigots for unions (without union nut, insert and O-ring)	7X
* only available with valve body material code 80	

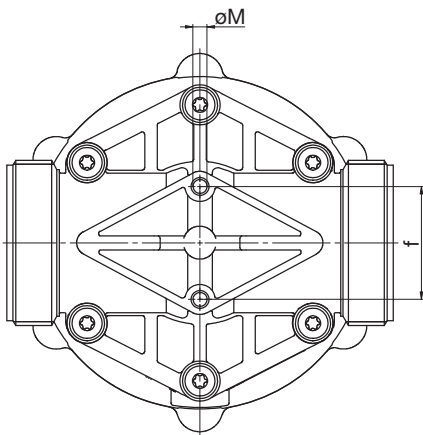
Control function	Code
Manually operated	0

Valve body material	Code
PVC-U	1
PP-R-GR, (reinforced polypropylene)	5**
S. G. Iron to EN-GJS-400-15 (GGG 40)	80
** only with connection code 7 and 7X	

Union insert material	Code
PVC-U	1
PP	5
Without insert	X
Medium wetted parts (except seal materials) are always made of the same material as the valve bodies.	

Order example	S670	15	D	7X	1	14	0	X
Type	S670							
Nominal size		15						
Body configuration (code)			D					
Connection (code)				7X				
Valve body material (code)					1			
Diaphragm material (code)						14		
Control function (code)							0	
Union insert material (code)								X

Body dimensions [mm]



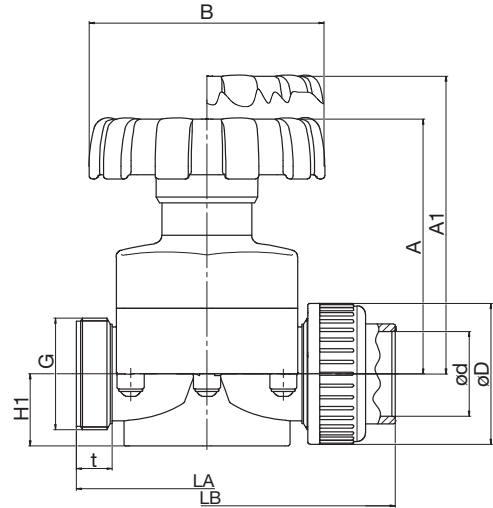
Plastic diaphragm valve, bottom view

DN	f	øM
15		
20	25	2.8
25		
32		
40	45	5.6
50		

Diaphragm valve with plastic body

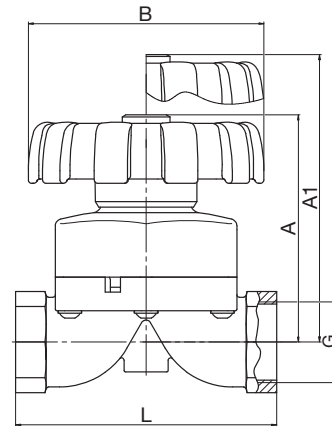
DN	A	A1	B	ød	øD	LB	G	t	LA
15	109.25	113.25	70	20.00	27.50	145.0	G 1	16	90
20	112.00	125.00	70	25.00	43.00	160.0	G 1 1/2	15	116
25	112.00	125.00	70	32.00	43.00	166.0	G 1 1/2	15	116
32	182.00	198.00	139	39.45	83.00	177.5	G 2 1/4	21	154
40	182.00	198.00	139	50.00	83.00	222.5	G 2 1/4	21	154
50	195.00	210.70	139	63.00	103.00	264.0	G 2 3/4	26	182

For materials see overview below



Diaphragm valve with cast metal body

DN	A	A1	B	G	L
15	82	86.3	70	G 1/2	85
25	84	97.5	70	G 1	110
40	139	155.0	139	G 1 1/2	154
50	184	199.5	139	G 2	165



Overview of valve bodies for GEMÜ S670

Connection code	1	7		7X	
Material code	80	1	5	1	5
DN 15	X	X	X	X	X
DN 20	-	X*	X*	-	-
DN 25	X	X	X	X	X
DN 32	-	X*	X*	-	-
DN 40	X	X	X	X	X
DN 50	X	X	X	X	X

* insert with reduction

For further valves, accessories and other products, please see our Product Range catalogue and Price List. Contact GEMÜ.



GEMÜ® VALVES, MEASUREMENT AND CONTROL SYSTEMS