

GEMÜ 607

Manually operated diaphragm valve



Features

- Compact design
- Integral optical position indicator
- Angle valve bodies save on additional pipe bends in the piping

Description

The GEMÜ 607 2/2-way diaphragm valve has a low maintenance plastic bonnet and is manually operated. An integral optical position indicator is standard.

Technical specifications

Media temperature :	-10 to 80 °C
Ambient temperature:	-10 to 50 °C
Operating pressure :	0 to 10 bar
Nominal sizes :	DN 10 to 10
Body configurations :	Angle valve body
Connection types :	Spigot
Connection standards :	DIN
Body materials :	PP-H, grey PVC-U, grey PVDF
Diaphragm materials :	EPDM FKM PTFE/EPDM
Conformities:	FDA

Technical data depends on the respective configuration



Order data

The order data provide an overview of standard configurations.

Please check the availability before ordering. Other configurations available on request.

Order codes

1 Type	Code
Diaphragm valve, manually operated, plastic handwheel	607
2 DN	Code
DN 10	10
3 Body configuration	Code
Angle valve body	E
4 Connection type	Code
Spigot DIN	0

5 Valve body material	Code
PVC-U, grey	1
PVDF	20
PP-H, grey	G5

6 Diaphragm material	Code
EPDM	3A
FPM	4A
PTFE/EPDM one-piece	54

7 Control function	Code
Manually operated	0

Order example

Order option	Code	Description
1 Type	607	Diaphragm valve, manually operated, plastic handwheel
2 DN	10	DN 10
3 Body configuration	E	Angle valve body
4 Connection type	0	Spigot DIN
5 Valve body material	1	PVC-U, grey
6 Diaphragm material	3A	EPDM
7 Control function	0	Manually operated

Technical data

Medium

Working medium: Corrosive, inert, gaseous and liquid media which have no negative impact on the physical and chemical properties of the body and diaphragm material.

Temperature

Media temperature:	PVC-U, grey	PP, reinforced	PVDF
	Code 1	Code 5	Code 20
	10 to 60 °C	5 to 80 °C	-10 to 80 °C

Ambient temperature:	PVC-U, grey	PP, reinforced	PVDF
	Code 1	Code 5	Code 20
	10 to 50 °C	5 to 50 °C	-10 to 50 °C

Storage temperature: 10 to 25 °C

Pressure

Operating pressure: 0 to 10 bar

Valve body material		Temperature in °C (valve body)											
Materials	Code	-10	±0	5	10	20	25	30	40	50	60	70	80
PVC-U	1	-	-	-	10.0	10.0	10.0	8.0	6.0	3.5	1.5	-	-
PP	5	-	-	10.0	10.0	10.0	10.0	8.5	7.0	5.5	4.0	2.7	1.5
PVDF	20	10.0	10.0	10.0	10.0	10.0	10.0	9.0	8.0	7.0	6.3	5.4	4.7

Data for extended temperature ranges on request. Please note that the ambient temperature and media temperature generate a combined temperature at the valve body which must not exceed the above values. Permissible operating pressure in bar

Mechanical data

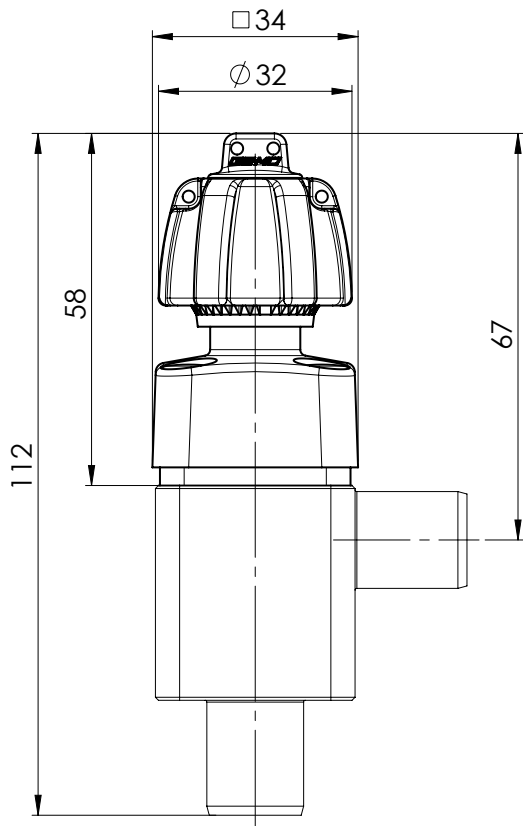
Flow direction: Optional

Installation position: Optional

Weight: 0.15 kg

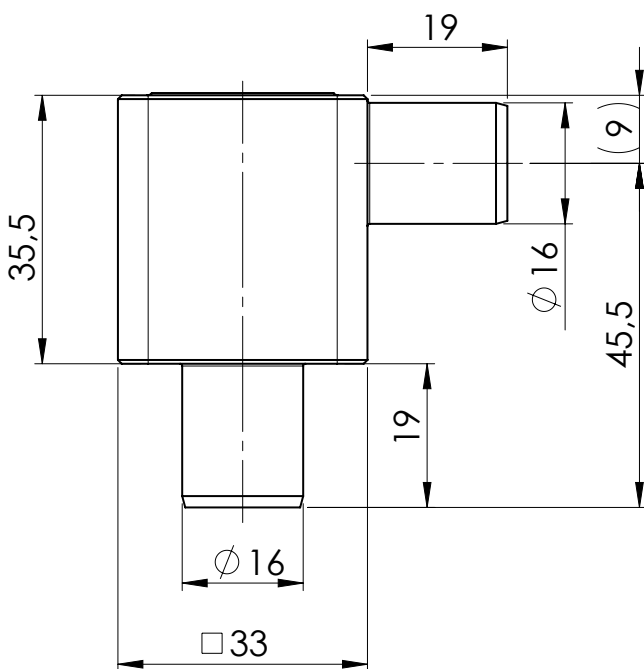
Dimensions

Actuator dimensions



Body dimensions

Spigot





GEMÜ Gebr. Müller Apparatebau GmbH & Co. KG
Fritz-Müller-Straße 6-8, 74653 Ingelfingen-Criesbach,
Germany
Phone +49 (0)7940 123-0 · info@gemue.de
www.gemu-group.com