

## Diaphragm Valve, plastic/metal

### Construction

GEMÜ S660 *SilverLine*® is a plastic or metal diaphragm valve with a pneumatic actuator and optical position indicator.

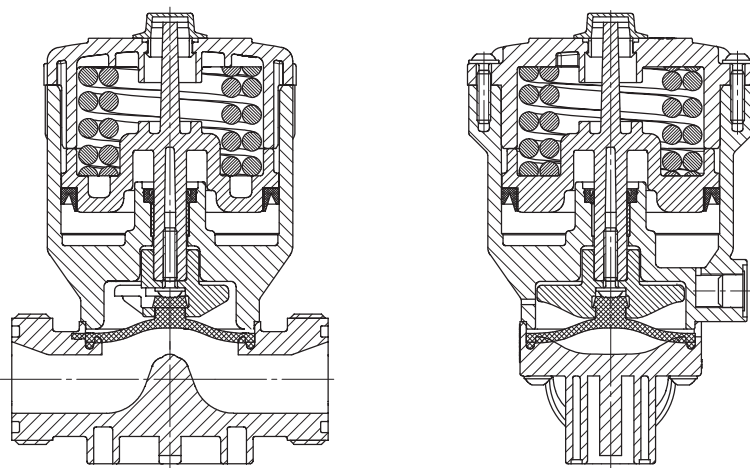
### Features

- Compact design with few components
- Low weight
- Corrosion-resistant materials
- Good flow coefficient
- Complies with the French drinking water standard ACS, medium wetted parts with PVC-U body and EPDM diaphragm
- The valve body and diaphragm are available in various designs/materials
- Various connections available

### Advantages

- No maintenance work on the valve is foreseen
- Insensitive to particulate media
- Optional flow direction and mounting position

Sectional drawing



## Technical data

### Working medium

Corrosive, inert, gaseous and liquid media which have no negative impact on the physical and chemical properties of the body and diaphragm material.

Max. medium temperature 60° C  
 Maximum permissible temperature of working medium see data sheet "Technical Information on Plastic materials"

### Ambient conditions

Max. ambient temperature 40° C

### Flow direction and mounting position

Optional

### Control medium

Inert gases

### Pressure / temperature correlation for plastic

Temperature in °C (plastic body)		5	10	20	25	30	40	50	60
Valve body material		Permissible operating pressure in bar							
PVC-U	Code 1	10.0	10.0	10.0	10.0	8.0	6.0	3.5	1.5
PP	Code 5	10.0	10.0	10.0	10.0	8.5	7.0	5.5	4.0

Extended temperature ranges on request. Please note that the ambient temperature and medium temperature generate a combined temperature at the valve body which must not exceed the above values.

		Max. operating pressure	Control pressure	Kv Value
MG	DN	EPDM		[m³/h]
15	15	8 bar	4.5 - 6.0 bar	3.9
25	20	8 bar		17.7
	25	8 bar		17.7
40	32	7 bar		34.8
	40	7 bar		34.8
50	50	6 bar		44.7

MG = Diaphragm size

### Seal material for valve bodies with union ends

Diaphragm material	Seal material
EPDM	EPDM
Other materials on request.	

## Order data

Body configuration	Code
2/2-way	D

Diaphragm material	Code
EPDM	14
Further diaphragm materials on request	

Connection	Code
Threaded sockets DIN ISO 228*	1*
Union ends with DIN insert (socket)	7
Body with threaded spigots for unions (without union nut, insert and O-ring)	7X
* only available with valve body material code 80	

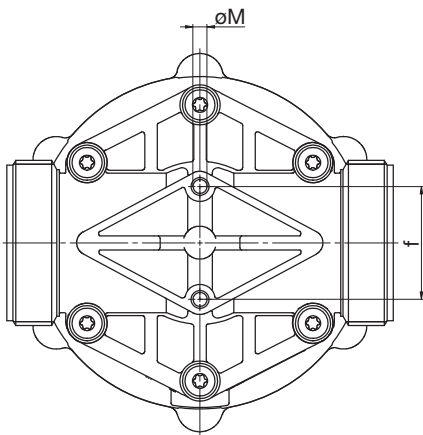
Control function	Code
Normally closed	1

Valve body material	Code
PVC-U	1
PP-R-GR, (reinforced polypropylene)	5**
S. G. Iron to EN-GJS-400-15 (GGG 40)	80
** only with connection code 7 and 7X	

Union insert material	Code
PVC-U	1
PP	5
Without insert	X
Medium wetted parts (except seal materials) are always made of the same material as the valve bodies.	

Order example	S660	15	D	7X	1	14	1	X
Type	S660							
Nominal size		15						
Body configuration (code)			D					
Connection (code)				7X				
Valve body material (code)					1			
Diaphragm material (code)						14		
Control function (code)							1	
Union insert material (code)								X

## Body dimensions [mm]



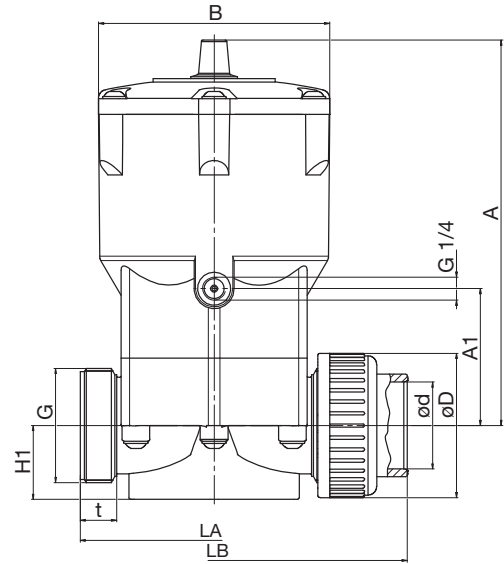
### Plastic diaphragm valve, bottom view

DN	f	øM
15		
20	25	2.8
25		
32		
40	45	5.6
50		

### Diaphragm valve with plastic body

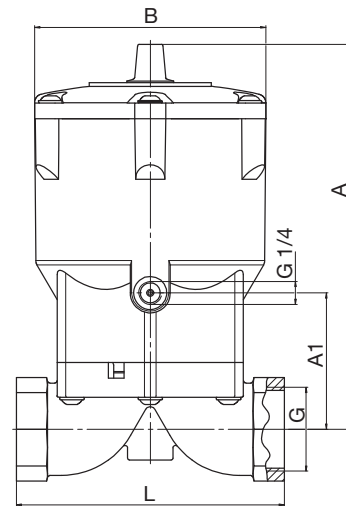
DN	A	A1	B	ød	øD	G	LA	LB	
								1	5
15	85	31	63	20	43	G 1	90	128	125
20	135	33	105	25	60	G 1 1/2	116	160	154
25	135	33	105	32	60	G 1 1/2	116	166	158
32	222	79	151	40	83	G 2 1/4	154	212	202
40	222	79	151	50	83	G 2 1/4	154	222	207
50	234	90	161	63	103	G 2 3/4	182	264	243

For materials see overview below



### Diaphragm valve with cast metal body

DN	A	A1	B	G	L
15	85	31	63	G 1/2	85
25	138	36	105	G 1	110
40	222	79	151	G 1 1/2	154
50	237	93	161	G 2	165



### Overview of valve bodies for GEMÜ S660

Connection code	1		7		7X	
	80	1	5	1	5	
Material code	80	1	5	1	5	
DN 15	X	X	X	X	X	
DN 20	-	X*	X*	-	-	
DN 25	X	X	X	X	X	
DN 32	-	X*	X*	-	-	
DN 40	X	X	X	X	X	
DN 50	X	X	X	X	X	

\* insert with reduction

For further valves, accessories and other products, please see our Product Range catalogue and Price List. Contact GEMÜ.



**GEMÜ**® VALVES, MEASUREMENT AND CONTROL SYSTEMS